



SDGs :

The contribution of science

Yves Flückiger

Rector of the University of Geneva

President of the swissuniversities International Relations Delegation

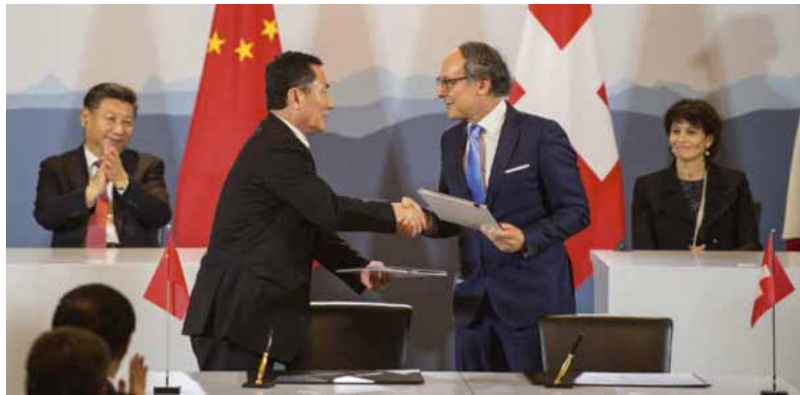




The role of the scientific community

1. Creating new international education programmes on SDGs and introducing SDGs in exiting programmes
 - Developing **challenge-based learning** for the SDGs
2. Enhancing Switzerland/Geneva as a host to the UN, other IGOs and NGOs
 - Encouraging **multi-stakeholder** collaboration around the SDGs
3. Linking International Geneva with enterprises
 - Establishing **project-based collaboration** between Geneva and China
4. Achieving measurable progress towards the SDGs
 - Generating **social and economic spin-off** through student-led innovation

2017: Geneva Tsinghua Initiative



Signature of the GTI MoU – Bern, Jan 17



Signature of the Master Agreement – Davos, Jan 17



GTI Luncheon – Davos, Jan 17



United Labs Launch – Davos, Jan 17

GTI Education Programmes

- **Masters Programme:** 2.5 year double degree (THU MPA + UNIGE MS)
- **Summer Student Programme :** 2 months in Geneva + China + World
- **Executive Ed. Programme :** 2 weeks for private / public / NGO sector
- **E-learning Programme:** 6 weeks online coaching programme
- **Accelerator Programme:** 1-3 month support for promising GTI projects
- **Exchange Programme :** Coordinated by Confucius Institute of UNIGE
- **Associated Initiatives:** United Labs, Open Geneva, iSDG, SDGo,...

Key features of the programmes

Combining various forms of teaching

- **Academic teaching** providing the basis of knowledge on SD, intercultural issues, global challenges, data mining and processing, etc.
- **Strong involvement of actors** coming from IGOs and global NGOs, regional/national administrations, and the private sector
- **Learning-by-doing** : workshops where students deal with practical issues and challenges
- Conference cycles
- **Field work** in Europe, Middle East, Africa, and China
- Internships

Examples of Projects

FIRST ROUND:

- Street guide to sustainable businesses
- access to generic medicines for specific diseases in Latin America.

SECOND ROUND:

- Crowdmapping sexual violence in India
- Crowdmapping public projects and policies in Nigeria
- Track the extent of poverty
- Mapping renewable sources of energy
- enabling civil-society-led SDG monitoring
- Putting rural Tanzania on the map.
- Study the use of land in the Philippines.



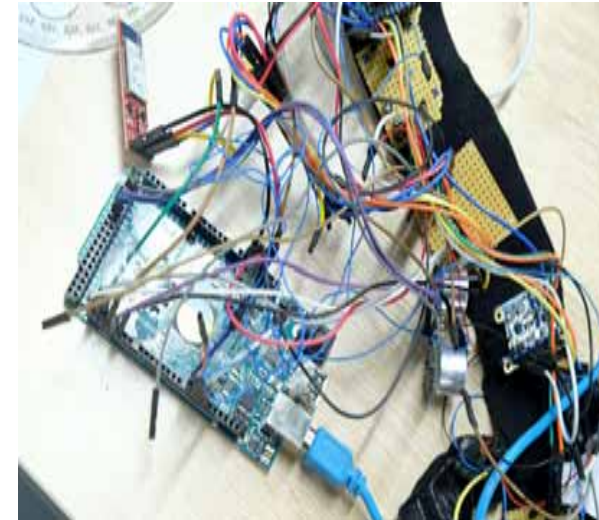
SDG Summer School



Part 1 – Geneva
Learn about SDGs
Meet the mentors
Define projects

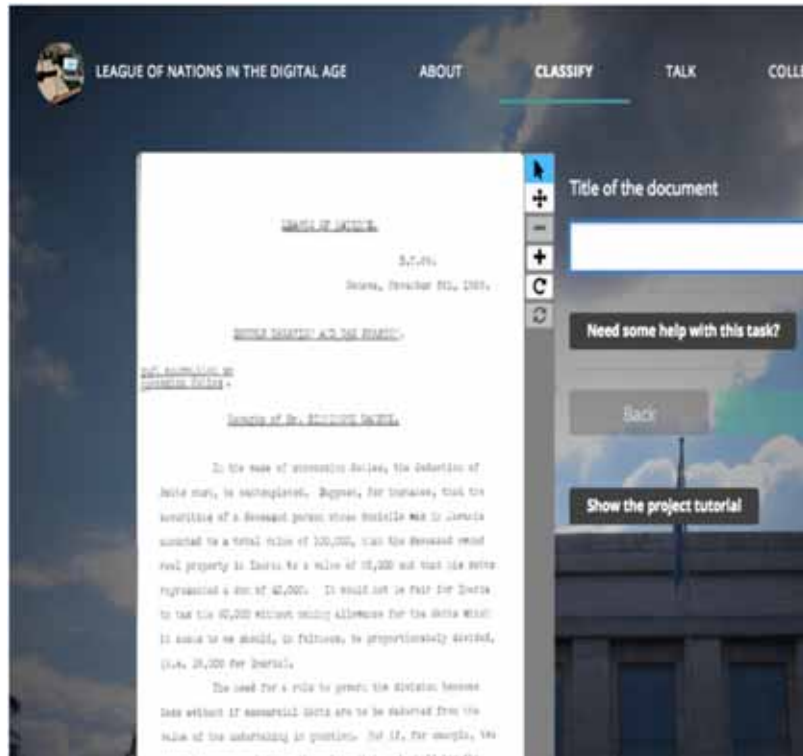


Part 2 – United Labs
Tackle challenges in teams
Work with local experts
Develop prototypes



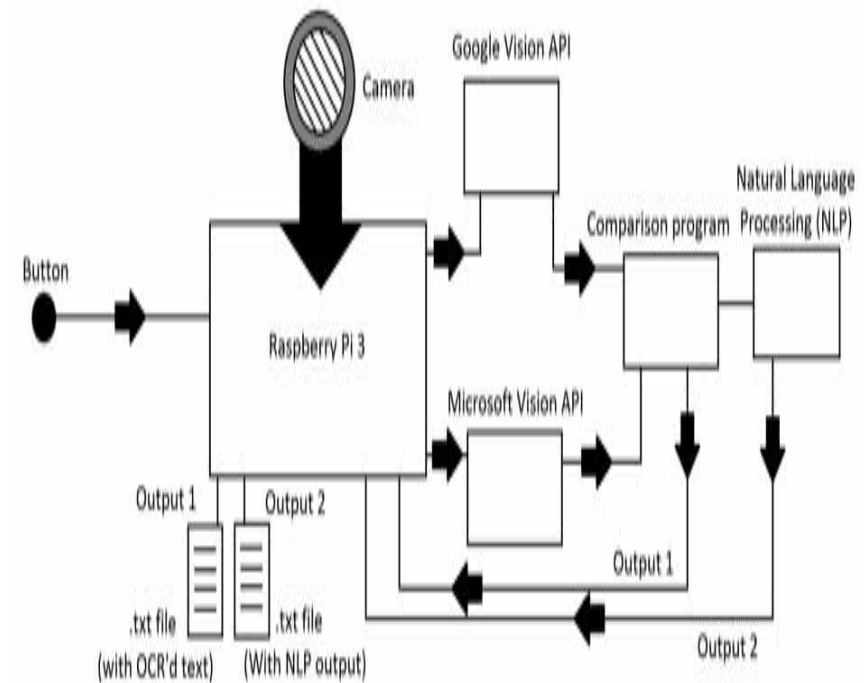
Part 3 – Beijing and Shenzhen
User testing with high schools
Manufacturing strategy
Business model

Example of Accelerator Project



Crowdsourcing
With UN Library
Mentor Colin Wells

Coordinator Blandine Blukacz-Louisfert



Open Source scanner with AI
Inspired by WMO use case
Accelerator programme



For knowing more about this : GTI-Master@unige.ch